



# INSTALLATION INSTRUCTIONS

Accessory

TANK BAG (4.5 L)  
P/N 08L85-MKS-E00

Application

CRF1100A/A2/A4/D/D2/D4

Publication No.

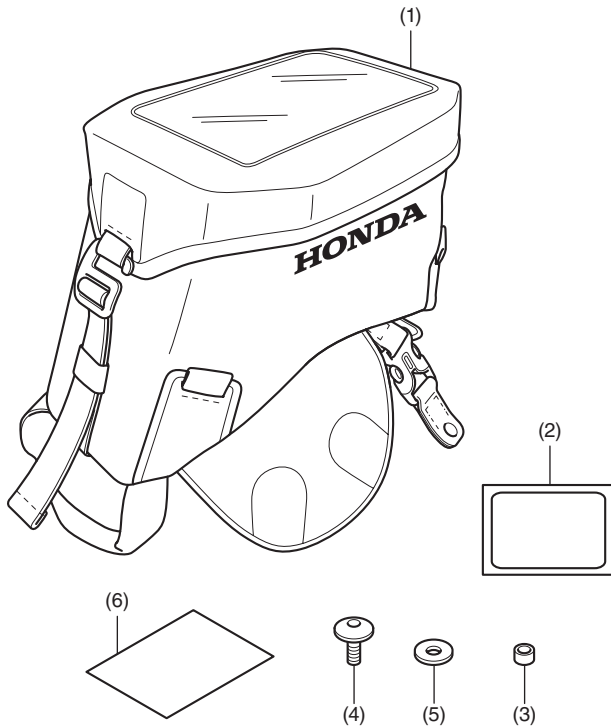
MII

Issue Date

June 2021

**Honda Dealer: Please give a copy of these instructions to your customer.**

## PARTS LIST



No.	Description	Qty
(1)	Tank bag	1
(2)	Protection film	2
(3)	Collar	2
(4)	6 mm screw	2
(5)	Washer	2
(6)	URL paper	1

## TOOLS AND SUPPLIES REQUIRED

Hex wrench (5 mm)  
Tape  
Scissors  
Isopropyl alcohol  
Shop towel  
Torque wrench

## TORQUE CHART

Tighten all screws, bolts, and nuts to their specified torque values. Refer to the Service Manual for the torque values of the removed parts.

Item	N·m	kgf·m	lbf·ft
6 mm screw	10	1.0	7

## MAXIMUM LOADING CAPACITY

- The weight of the cargo must not exceed the following maximum loading capacity:

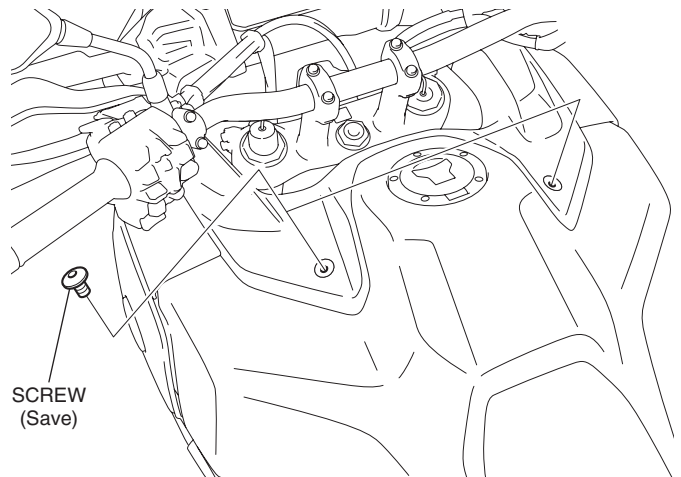
Maximum Loading Capacity	
Tank bag	1.5 kg (3.3 lb)

## INSTALLATION

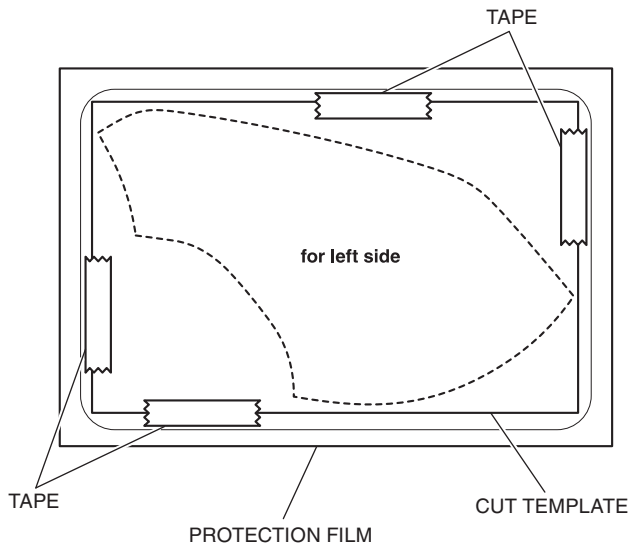
### NOTE:

- Heat the bonding surfaces with a hair dryer if the ambient air temperature is below 70°F (21°C).
- The adhesive reaches full strength in 72 hours. Wait at least 24 hours before riding your motorcycle.
- Before installation, remove all dust, sand, etc. from fuel tank and tank bag, as otherwise the fuel tank may be damaged.
- Although the illustration is of CRF1100D4, use the same procedures for other models.

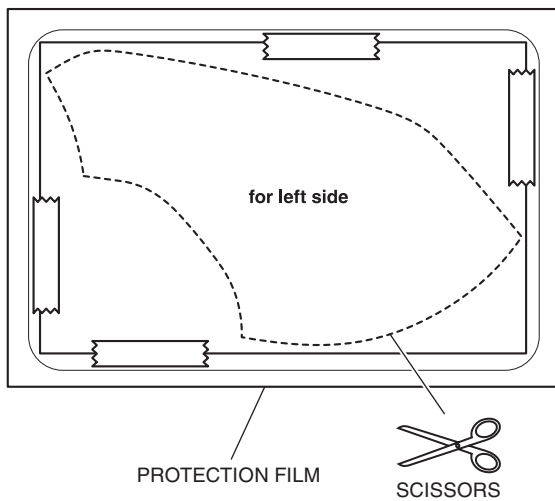
- Remove the screws as shown.



2. Cut out the template along the solid line and attach it to the protection film.
  - **Perform this step on CRF1100A2/A4/D2/D4 only.**



3. Cut both the template and protection film together along the dotted line as shown.
  - **Perform this step on CRF1100A2/A4/D2/D4 only.**

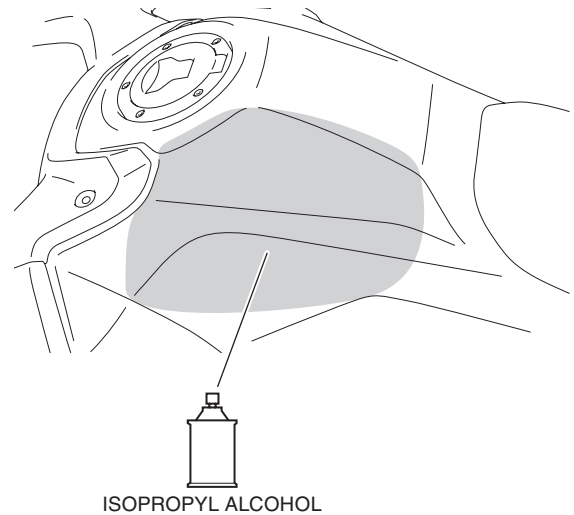


4. Clean the surface of the area shown using an isopropyl alcohol.

<Left side> CRF1100A2/A4/D2/D4

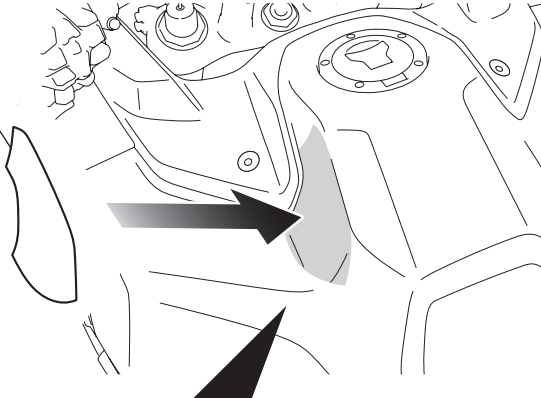


<Left side> CRF1100A/D

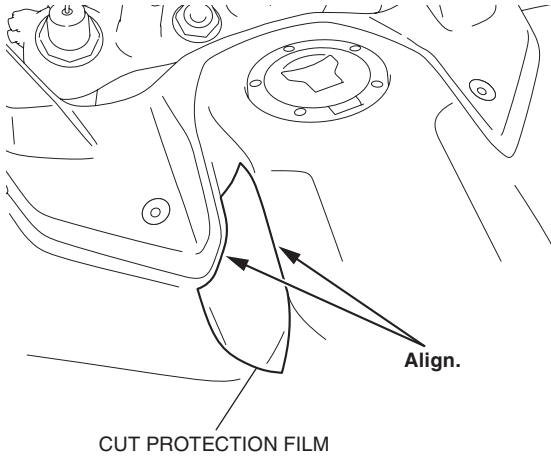


5. Attach the protection film to the fuel tank as shown.

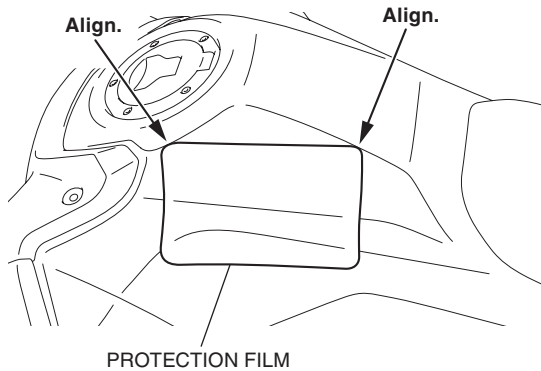
PROTECTION FILM  
Remove the adhesive backing before attaching.



<CRF1100A2/A4/D2/D4>

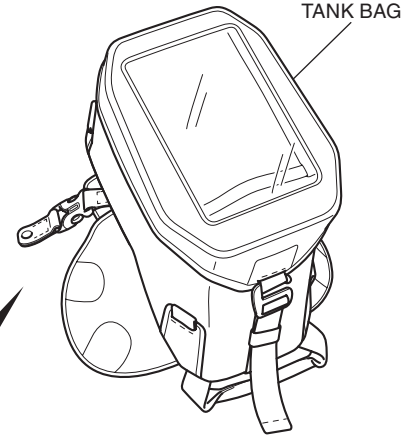


<CRF1100A/D>

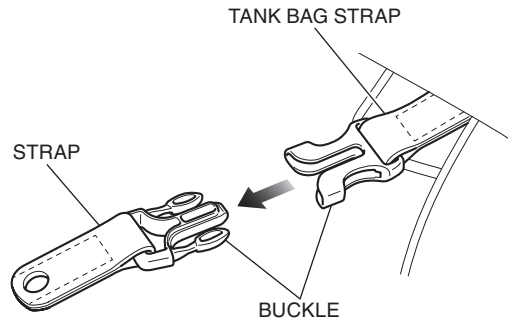


6. Install the right side of the protection film in the same manner as the left side.

7. Remove the straps as shown.



Remove the buckles as shown.  
<Left side>

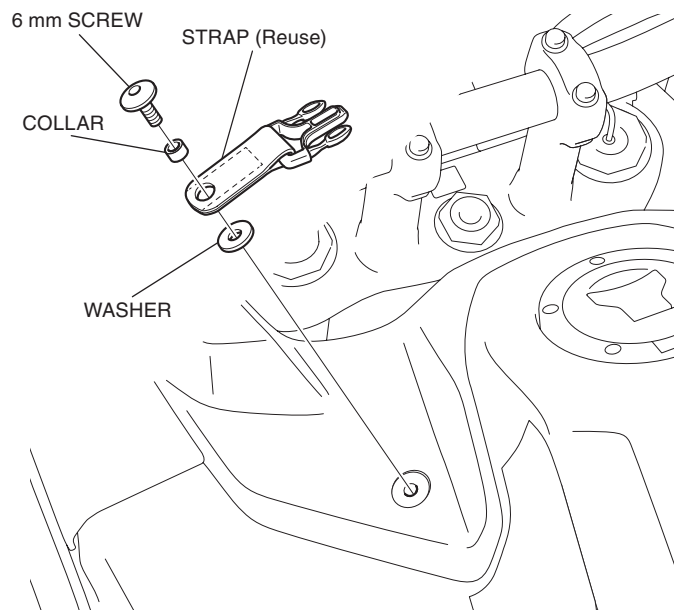


Repeat on the right side.

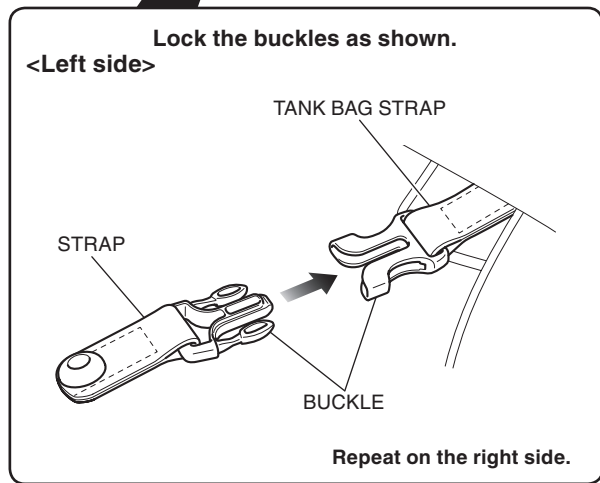
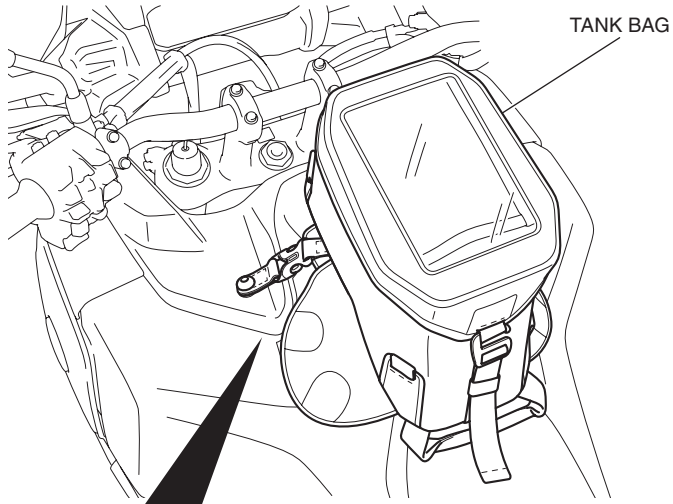
8. Install the strap as shown.

• Repeat on the right side.

<Left side>



9. Install the tank bag on the fuel tank as shown.



# <TEMPLATE>

CRF1100A2/A4/D2/D4 only

